

PARTS LIST

[UX-T550]

* All printed circuit boards and its assemblies are not available as service parts.

Area suffix

UF ----- China

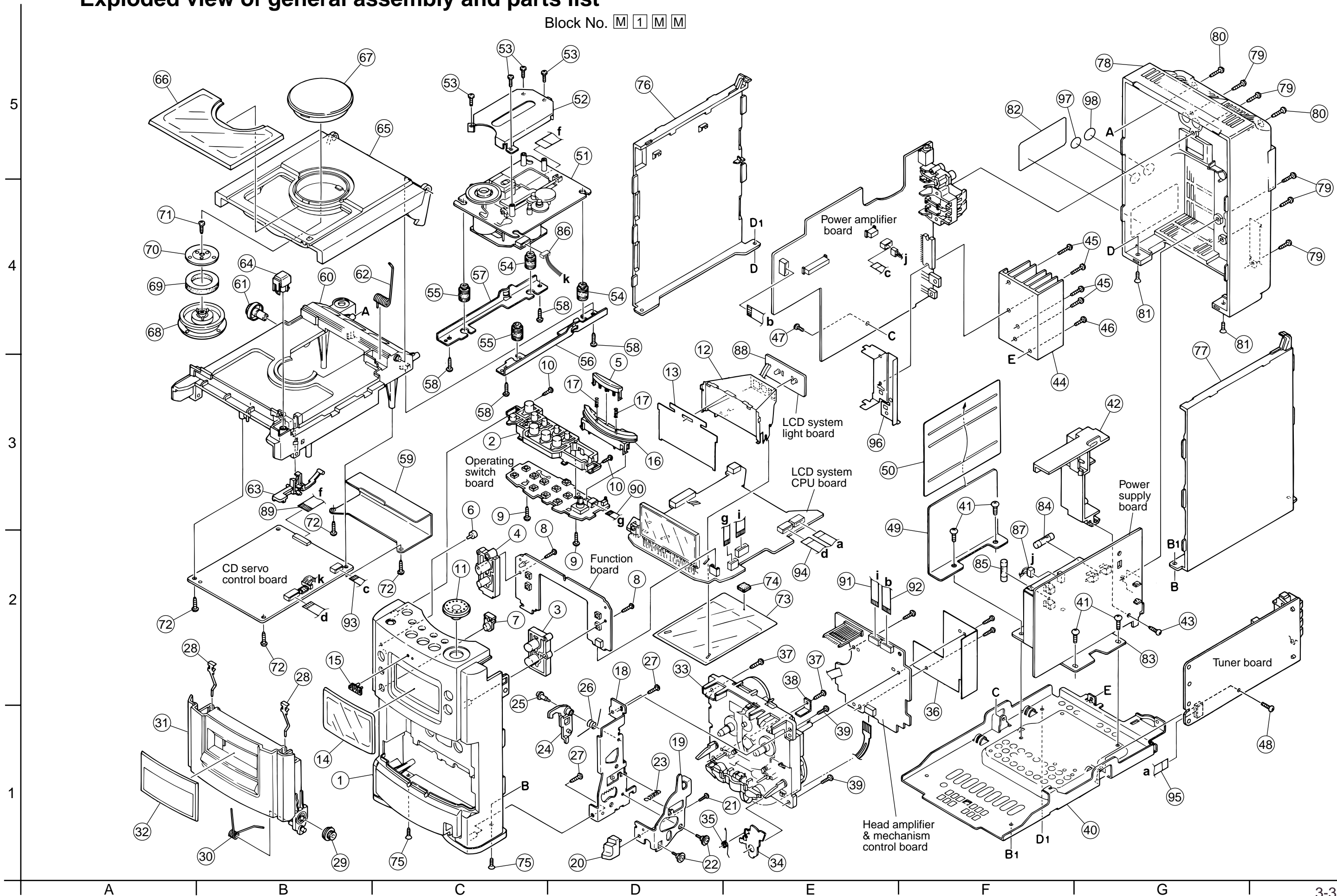
- Contents -

Exploded view of general assembly and parts list	3- 3
Cassette mechanism assembly and parts list	3- 5
CD mechanism assembly and parts list	3- 7
Electrical parts list	3- 8
Packing materials and accessories parts list	3-18

< MEMO >

Exploded view of general assembly and parts list

Block No. M 1 M M



■ Parts list (General assembly)

Block No. M1MM

△	Item	Parts number	Parts name	Q'ty	Description	Area
	1	VJG1473-024	FRONT PANEL	1		
	2	VXP3867-003	PUSH BUTTON(A)	1	ABS	
	3	VXP5352-003	PUSH BUTTON(B)	1	ABS	
	4	VXP5353-003	PUSH BUTTON(C)	1	ABS	
	5	VXP5358-003	SNOOZE BUTTON	1	ABS	
	6	VJK4493-001SC	LENS(STANDBY)	1		
	7	VJK4504-001	REMOCON LENS	1		
	8	QYSBSF2608Z	T.SCREW	2	FOR F.P+PWB	
	9	QYSBSF3008Z	SCREW	2	BUTTON+PWB	
	10	QYSBSF2608Z	T.SCREW	2	FOR F.P+BUTTON	
	11	VXL4453-003	MULTI JOG DIAL	1	ABS	
	12	VYH3982-001	LAMP CASE	1	SPTT T0.4	
	13	VYTT704-001	LCD FILTER	1	FOR LCD	
	14	VJT4241-003	LCD LENS	1	PMMA SILK 1	
	15	E406971-002SM	JVC MARK	1	SILVER	
	16	VYH8160-003	BUTTON COVER	1	SILK 1	
	17	VKW5306-001	COMP.SPRING	2		
	18	VYH3983-001	DOOR HOLDER	1	EGC T1	
	19	VYH8149-001	EJECT LEVER	1	EGC T1.2	
	20	VXQ4125-003	EJECT KNOB	1	ABS	
	21	QYSBSF2608Z	T.SCREW	1	FOR E.LVR+E.KNOB	
	22	VKZ4323-002	SCREW	2	D.HOLDER+E.LEVER	
	23	VKW3002-274	TENSION SPRING	1	FOR E.LEVER	
	24	VYH7347-001	EJECT ARM	1	POM	
	25	VKZ4341-001	SPECIAL SCREW	1	FOR EJECT ARM	
	26	VKW4938-001	TORTION SPRING	1	FOR EJECT ARM	
	27	QYSBSF3008Z	SCREW	2	F.P+D.HOLDER	
	28	VKY4180-001	CASSETTE SPRING	2		
	29	VYH5601-001	GEAR	1		
	30	VKW5295-001	DOOR SPRING	1	SUS	
	31	LV20361-001A	CASSETTE DOOR	1	MIPS SPRAY 1	
	32	LV40937-001A	DOOR LENS	1	PMMA SILK 2	
	33	-----	CASSETTE MECHA	1	SLC	
	34	VKL7850-203	EJECT SAFTY(R)	1		
	35	VKW5258-003	TORSION SPRING	1		
	36	VMA4723-001	CHIELD	1		
	37	QYSBSF3010Z	SCREW	2	F.PANEL+MECHA	
	38	VYH8183-001	BRACKET	1	FOR CASSETTE DOOR	
	39	QYSBST3008Z	T.SCREW	2	DOOR HOL+MECHA	
	40	VYH1263-001	BOTTOM CHASSIS	1	EGC T0.8	
	41	QYSBST4006Z	T.SCREW	4	CHASSIS+TRANS	
	42	VYH3984-001	JACK HOLDER	1	ABS FOR	
	43	QYSBSF3010Z	SCREW	1	PWB+JACK HOLDER	
	44	VYH8153-001	RADIATION	1		
	45	QYSBST3012Z	T.SCREW	4	RADI+IC	
	46	QYSBST3006Z	T.SCREW	1	RADI+CHASSIS	
	47	QYSBST3006Z	T.SCREW	1	MAIN PWB+CHASSIS	
	48	QYSBST3006Z	T.SCREW	1	TUNER PWB+CHASSIS	

■ Parts list (General assembly)

Block No. M1MM

△	Item	Parts number	Parts name	Q'ty	Description	Area
	49	VMA3239-001	SHIELD	1		
	50	VMA4720-001	BARRIER	1		
	51	-----	CD MECHA	1		
	52	VJD5410-306	PICK COVER	1		
	53	QYSDSF2006M	SCREW	4	CD MECHA+P.COVER	
	54	FMYH4003-001J	INSULATOR	2		
	55	FMYH4003-002J	INSULATOR	2		
	56	VYH8089-001SC	CD MECHA HOLDER	1		
	57	VYH8089-002SC	CD MECHA HOLDER	1		
	58	QYSBSF3010Z	SCREW	4	CD CASE+M.HOLDE	
	59	VMA4692-002SC	SHIELD	1	FOR CD MECHA WIRE	
	60	VJD1216-003	CD CASE	1	MIPS T2.5 EMBOS	
	61	VYH4769-002SS	GEAR	1		
	62	VKW5276-001	CD DOOR SPRING	1	SUS	
	63	VYH8152-001	LOCK LEVER	1	POM	
	64	VXP5354-004	CD EJECT KNOB	1	ABS	
	65	VJT2385-004	CD DOOR	1	ABS HOT STAMP	
	66	VJT3392-003	CD LENS	1	PMMA	
	67	VJT4245-003	CD ORNAMENT	1		
	68	VYH3726-002SS	CLAMPER	1	ABS	
	69	VYH7313-003	MAGNET	1		
	70	VYH7677-201	YOKE	1	EGC T0.8	
	71	QYSDSF2606Z	SCREW	1	FOR CLAMPER	
	72	QYSBSF3010Z	SCREW	4	CD PWB+CD CASE	
	73	VMA4721-002	SHIELD	1		
	74	GN30006-001A	SPACER	1	FOR SHIELD	
	75	QYSSST3008Z	SCREW	2	CHASSIS+F.PANEL	
	76	VJD2488-006	SIDE PANEL(L)	1		
	77	VJD2489-006	SIDE PANEL(R)	1		
	78	VJG1477-024	REAR PANEL	1		
	79	QYSBSF3010Z	SCREW	5	JACK+R.P	
	80	QYSBSF3010Z	SCREW	2	R.P+CD CASE	
	81	QYSSST3008Z	SCREW	2	FOR R.P+CHASSIS	
	82	GN30024-002A	RATING LABEL	1		
	83	VTP66J2-12L	POWER TRANS	1	T901	
	84	QMF51E2-R40-J1	FUSE	1	F901	
	85	QMF51E2-5R0-J1	FUSE	1	F903	
	86	SA-Y-6-06-PH-06	CONNECTOR	1		
	87	SC-J-2-10-EH-02	SC-EH WIRE	1	MAIN - AC/DC	
	88	VWSB02-104K4K	FLAT WIRE	1	LAMP WIRE	
	89	QUQ910-1507AJ	FFC WIRE	1	CD - PICK	
	90	QUQB12-0508CJ	FFC WIRE	1	KEY - MICOM	
	91	QUQB12-0914CJ	FFC WIRE	1	SLC - MICOM	
	92	QUQB12-1020CJ	FFC WIRE	1	SLC - MAIN	
	93	QUQB12-0716CJ	FFC WIRE	1	MAIN - CD	
	94	QUQB12-1106DJ	FFC WIRE	1	MICOM - CD	
	95	QUQB12-1020CJ	FFC WIRE	1	MICOM - TUNER	
	96	VYH3987-001SC	IC HOLDER	1	SPTT T0.4	
	97	E409372-001	CCEE LABEL	1		
	98	LV41768-001A	CCIB LABEL	1		

5

4

3

2

1

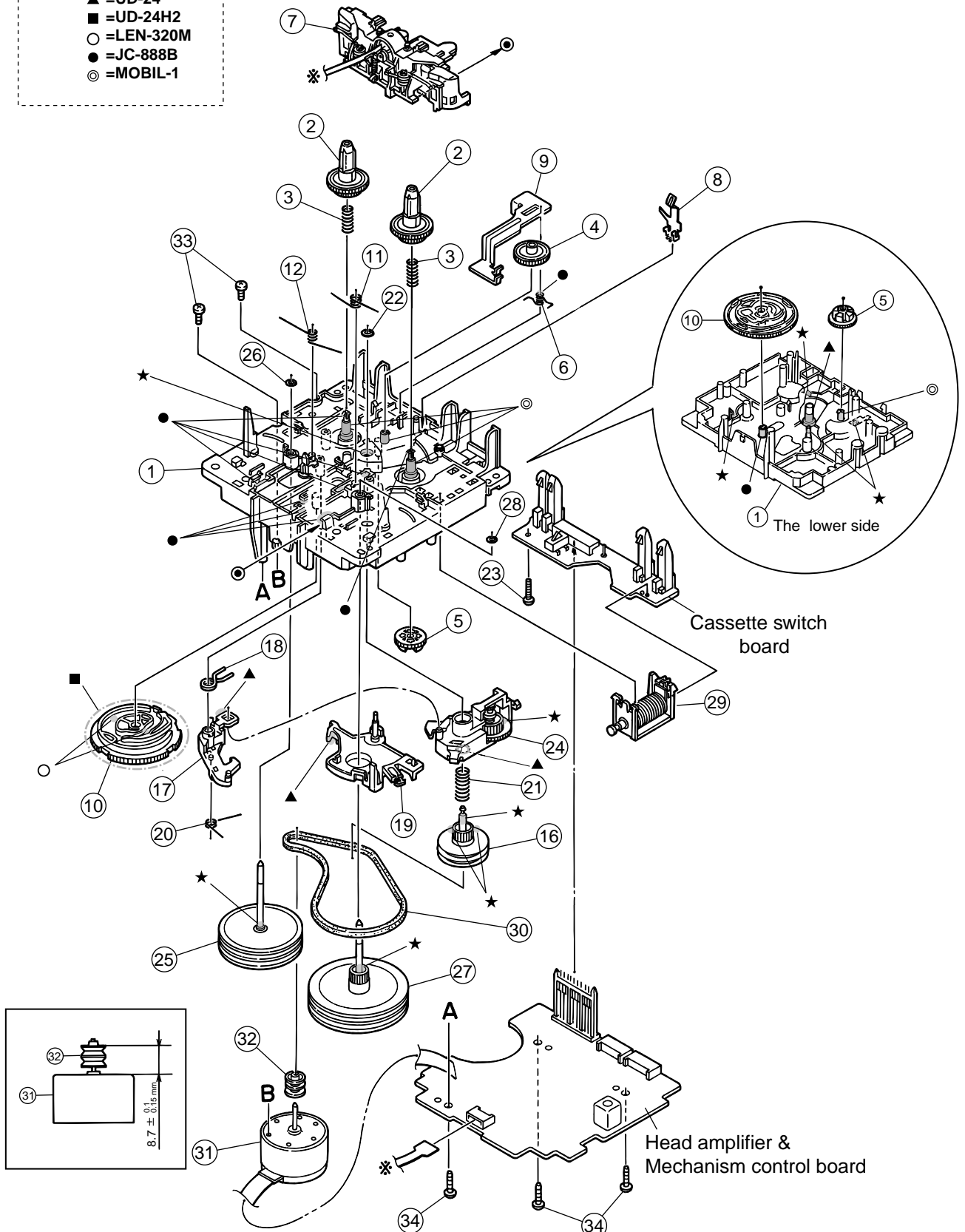
Cassette mechanism assembly and parts list

SLC-S11YPM

Block No. M 2 M M

Grease

- ★ =EM-30L
- ▲ =UD-24
- =UD-24H2
- =LEN-320M
- =JC-888B
- ◎ =MOBIL-1



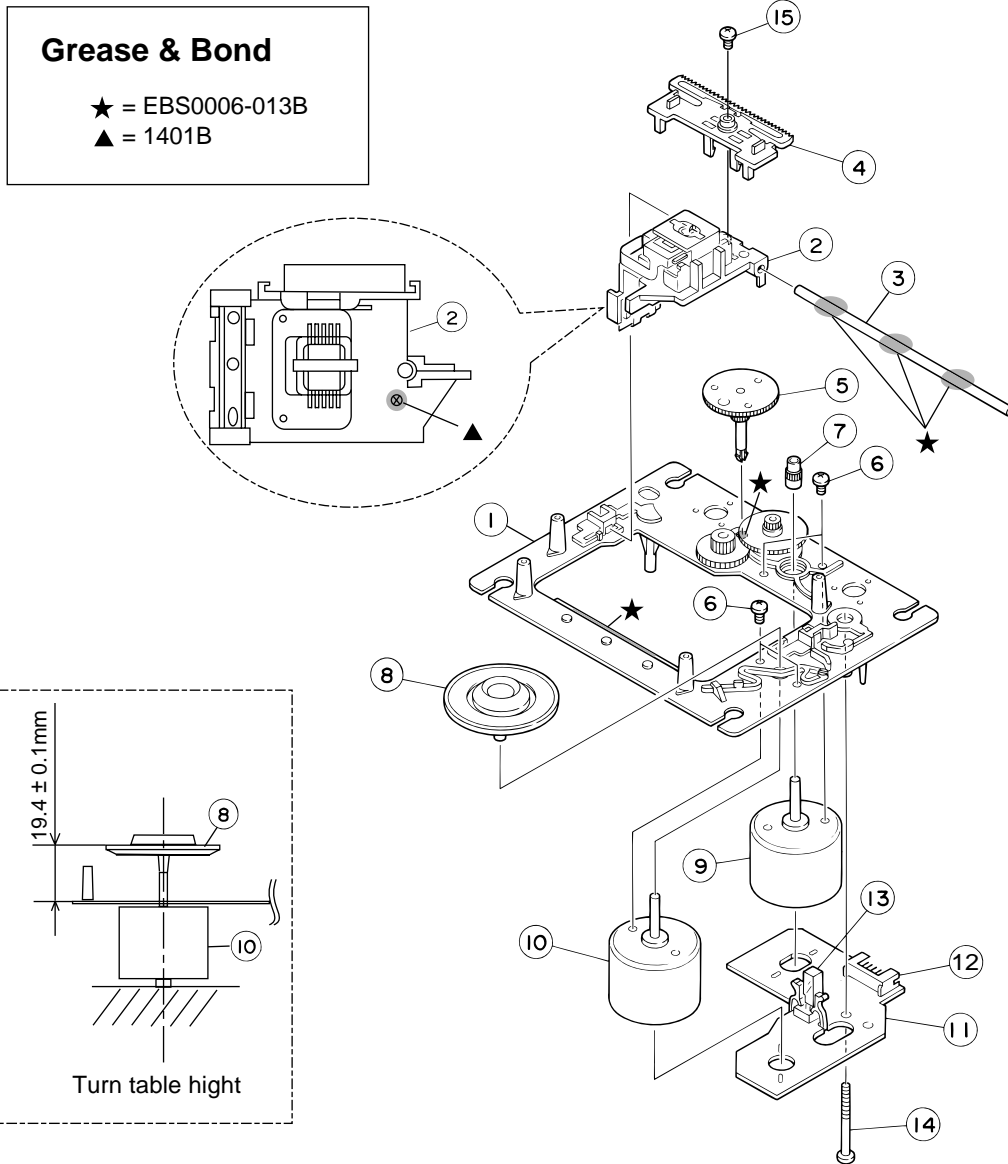
Parts list (Cassette mechanism)

Block No. M2MM

△	Item	Parts number	Parts name	Q'ty	Description	Area
	1	VKS1165-00J	CHASSIS B.ASS'Y	1		
	2	VKS2274-002	REEL GEAR	2		
	3	VKW5286-002	B.T. SPRING	2		
	4	VKS5559-001	PLAY IDLE GEAR	1		
	5	VKS5597-00B	BLIND	1		
	6	VKW5296-001	EARTH SPRING	1		
	7	SLC-RP1SVM	HEAD MOUNT ASSY	1		
	8	VKY3149-002	CASSETTE SP.	1		
	9	VKM3906-002	PLAY SW.LEVER	1		
	10	VKS1166-003	CONTROL CAM	1		
	11	VKW5279-001	HEAD BASE SP(R)	1		
	12	VKW5280-001	HEAD BASE SP(L)	1		
	16	VKS5603-00G	MAIN PULLEY ASY	1		
	17	VKS3785-001MM	FR ARM	1		
	18	VKW5284-002	SWING SPRING	1		
	19	VKS2278-003	TRIGGER ARM	1		
	20	VKW5301-001	FR SPRING	1		
	21	VKW5266-001	ELEVATOR SPRING	1		
	22	WDL214025	WASHER	1		
	23	QYSBSF2005Z	T.SCREW	1		
	24	VKS3786-00G	CLUTCH ASS'Y	1		
	25	VKF3205-00B	F.WHEEL ASSY(R)	1		
	26	WDL183425	SLIT WASHER	1		
	27	VKF3207-00B	F.WHEEL ASSY(L)	1		
	28	WDL173525-6	SLIT WASHER	1		
	29	VKZ3174-00A	DC SOLENOID	1		
	30	LV42234-001A	CAPSTAN BELT	1		
	31	MSI-5U2LWA	D.C.MOTOR ASS'Y	1		
	32	VKR4761-001	MOTOR PULLEY	1		
	33	QYSPSP2604Z	SCREW	2		
	34	QYSBSF2608Z	T.SCREW	3	FOR P.W.B.	

CD mechanism assembly and parts list

Block No. M 3 M M



EXL-M7GB

Parts list (CD mechanism)

Block No. **M3MM**

Item	Parts number	Parts name	Q'ty	Description	Area
1	E102501-331SC	MECHA BASE ASSY	1		
2	OPTIMA-7B	C.D PICK	1		
3	E407782-003SC	C.D SHAFT	1		
4	HQN300031-001PK	CD RACK GEAR	1		
5	E307745-332SC	MECHA GEAR(3)	1		
6	QYSDSP2003N	SCREW	4		
7	E406750-332SC	PINION	1		
8	EPB-001PK	T.TABLE ASSY	1		
9	E406784-001	FEED MOTOR	1		
10	QAR0130-001	SP MOTOR	1		
11	EMW10190-001	CIR BOARD	1		
12	QGA2001F1-06	6P PLUG ASSY	1	FOR P011	
13	QSW0506-001	LEAF SW	1	FOR S001	
14	E75832-221	SPECIAL SCREW	1	FOR M.CB	
15	QYSDSF2606Z	SCREW	1		

■ Electrical parts list (Main board)

Block No. 01

△	Item	Parts number	Parts name	Remarks	Area
△	C 901	QFLC1HJ-104Z	M CAPACITOR	.10MF 5% 50V	
△	C 902	QFLC1HJ-104Z	M CAPACITOR	.10MF 5% 50V	
△	C 903	QFLC1HJ-104Z	M CAPACITOR	.10MF 5% 50V	
△	C 904	QFLC1HJ-104Z	M CAPACITOR	.10MF 5% 50V	
	CN301	QGB1214J1-20S	CONNECTOR		
	CN302	QGB1214J1-06S	CONNECTOR		
	CN303	QGF1205C1-10	CONNECTOR		
	CN304	QGF1201C3-07	CONNECTOR		
	CN801	QGB2016J1-03	CONNECTOR		
	CN802	QGF1201F3-05	CONNECTOR		
	CN901	QGA2501C4-02	CONNECTOR		
	C1001	QCBB1HK-101Y	C CAPACITOR	100PF 10% 50V	
	C1002	QDX31EM-104Z	C CAPACITOR		
	C1003	QDX31EM-104Z	C CAPACITOR		
	C1006	QETC1CM-106Z	E CAPACITOR	10MF 20% 16V	
	C1021	QFN31HJ-823Z	M CAPACITOR	.082MF 5% 50V	
	C1022	QFN31HJ-823Z	M CAPACITOR	.082MF 5% 50V	
	C1025	QETC1CM-226Z	E CAPACITOR	22MF 20% 16V	
	C1026	QFVJ1HJ-334Z	M CAPACITOR	.33MF 5% 50V	
	C1051	QCS11HJ-100	C CAPACITOR	10PF 5% 50V	
	C1053	QETC1CM-106Z	E CAPACITOR	10MF 20% 16V	
	C1054	QFN31HJ-392Z	M CAPACITOR	3900PF 5% 50V	
	C1055	QETC1EM-475Z-JB	E CAPACITOR	4.7MF 20% 25V	
	C1056	QETC1CM-106Z	E CAPACITOR	10MF 20% 16V	
	C1070	QETC1EM-475Z-JB	E CAPACITOR	4.7MF 20% 25V	
	C1082	QFLC1HJ-563Z	TF CAPACITOR	.056MF 5% 50V	
	C1083	QFLC1HJ-563Z	TF CAPACITOR	.056MF 5% 50V	
	C1084	QFN31HJ-472Z	M CAPACITOR	4700PF 5% 50V	
	C2001	QCBB1HK-101Y	C CAPACITOR	100PF 10% 50V	
	C2002	QDX31EM-104Z	C CAPACITOR		
	C2003	QDX31EM-104Z	C CAPACITOR		
	C2006	QETC1CM-106Z	E CAPACITOR	10MF 20% 16V	
	C2021	QFN31HJ-823Z	M CAPACITOR	.082MF 5% 50V	
	C2022	QFN31HJ-823Z	M CAPACITOR	.082MF 5% 50V	
	C2025	QETC1CM-226Z	E CAPACITOR	22MF 20% 16V	
	C2026	QFVJ1HJ-334Z	M CAPACITOR	.33MF 5% 50V	
	C2051	QCS11HJ-100	C CAPACITOR	10PF 5% 50V	
	C2053	QETC1CM-106Z	E CAPACITOR	10MF 20% 16V	
	C2054	QFN31HJ-392Z	M CAPACITOR	3900PF 5% 50V	
	C2055	QETC1EM-475Z-JB	E CAPACITOR	4.7MF 20% 25V	
	C2056	QETC1CM-106Z	E CAPACITOR	10MF 20% 16V	
	C2070	QETC1EM-475Z-JB	E CAPACITOR	4.7MF 20% 25V	
	C2082	QFLC1HJ-563Z	TF CAPACITOR	.056MF 5% 50V	
	C2083	QFLC1HJ-563Z	TF CAPACITOR	.056MF 5% 50V	
	C2084	QFN31HJ-472Z	M CAPACITOR	4700PF 5% 50V	
	C3001	QETM1EM-688	E CAPACITOR	6800MF 20% 25V	
	C3002	QFLC1HJ-104Z	M CAPACITOR	.10MF 5% 50V	
	C3003	QETC1CM-107Z-JB	E CAPACITOR	100MF 20% 16V	
	C3004	QETC1AM-337Z-JB	E CAPACITOR	330MF 20% 10V	
	C3005	QETC1AM-336Z-JB	E CAPACITOR	33MF 20% 10V	
	C3006	QETC1HM-225Z-JB	E CAPACITOR	2.2MF 20% 50V	
	C3010	QETC1HM-684Z	E CAPACITOR	.68MF 20% 50V	
	C3011	QDYB1CM-103Y	C CAPACITOR		
	C3021	QETC1CM-476Z-JB	E CAPACITOR	47MF 20% 16V	
	C3022	QETC1AM-476Z-JB	E CAPACITOR	47MF 20% 10V	
	C3031	QETC1HM-105Z-JB	E CAPACITOR	1.0MF 20% 50V	
	C3032	QETC1HM-105Z-JB	E CAPACITOR	1.0MF 20% 50V	
	C3033	QFLC1HJ-563Z	TF CAPACITOR	.056MF 5% 50V	
	C3034	QFLC1HJ-563Z	TF CAPACITOR	.056MF 5% 50V	
	C3035	QETC1HM-105Z-JB	E CAPACITOR	1.0MF 20% 50V	
	C3036	QETC1CM-106Z-JB	E CAPACITOR	10MF 20% 16V	
	C3037	QETC1CM-106Z-JB	E CAPACITOR	10MF 20% 16V	
	C3041	QETC1EM-106Z-JB	E CAPACITOR	10MF 20% 25V	

△	Item	Parts number	Parts name	Remarks	Area
	C3051	QETC1CM-476Z-JB	E CAPACITOR	47MF 20% 16V	
	C3052	QETC1CM-476Z-JB	E CAPACITOR	47MF 20% 16V	
	C3070	QER41HM-105	E CAPACITOR	1.0MF 20% 50V	
	C3081	QETC1CM-227Z-JB	E CAPACITOR	220MF 20% 16V	
	C3083	QETC1HM-474Z-JB	E CAPACITOR	.47MF 20% 50V	
	C3084	QETC1HM-474Z-JB	E CAPACITOR	.47MF 20% 50V	
	C3085	QETC1HM-474Z-JB	E CAPACITOR	.47MF 20% 50V	
	C3086	QETC1EM-106Z-JB	E CAPACITOR	10MF 20% 25V	
	C3087	QETC1HM-224Z-JB	E CAPACITOR	.22MF 20% 50V	
	C8011	QDYB1CM-103Y	C CAPACITOR		
	C8012	QDYB1CM-103Y	C CAPACITOR		
	C9001	QETC1CM-226Z-JB	E CAPACITOR	22MF 20% 16V	
	C9003	QDYB1CM-103Y	C CAPACITOR		
	C9004	QCBB1HK-221Y	C CAPACITOR	220PF 10% 50V	
	C9201	QETC1CM-476Z-JB	E CAPACITOR	47MF 20% 16V	
	C9202	QDYB1CM-103Y	C CAPACITOR		
	C9203	QETC1CM-106Z-JB	E CAPACITOR	10MF 20% 16V	
	C9301	QETC1AM-107Z-JB	E CAPACITOR	100MF 20% 10V	
	C9302	QETC1HM-475Z-JB	E CAPACITOR	4.7MF 20% 50V	
	C9501	QETC1AM-477Z-JB	E CAPACITOR	470MF 20% 10V	
△	D 901	6A10E2	SI DIODE		
△	D 902	6A10E2	SI DIODE		
△	D 903	6A10E2	SI DIODE		
△	D 904	6A10E2	SI DIODE		
△	D 905	6A10E2	SI DIODE		
	D3021	MTZJ4.3B-T2	ZENER DIODE		
	D3031	1SS254-T2	SI DIODE		
	D3032	1SS254-T2	SI DIODE		
	D3033	1SS254-T2	SI DIODE		
	D3034	1SS254-T2	SI DIODE		
	D3070	MTZJ6.8B-T2	NER DIODE		
	D8101	L-34ID-T12	LED	STANDBY LED RED	
	D9001	1SS254-T2	SI DIODE		
	D9002	MTZJ8.2C-T2	ZENER DIODE		
	D9003	MTZJ10A-T2	ZENER DIODE		
	D9102	1SR35-100A-T5	SI DIODE		
	D9201	MTZJ4.3B-T2	ZENER DIODE		
	D9301	MTZJ3.9B-T2	Z DIODE		
	D9302	1SS254-T2	SI DIODE		
	D9303	1SS254-T2	SI DIODE		
	D9501	1SS254-T2	SI DIODE		
△	IC 31	LA4705NA	IC		
	IC 32	BA15218N	IC		
	IC 35	BA15218N	IC		
	IC 38	BH3852S	IC		
△	J 901	QNC0001-001	AC INRET		
△	J 902	QNA0016-001	DC JACK		
	JS801	QSW0547-001	ROTARY ENCODER		
	J3001	QNN0090-001	PIN JACK	KUNMING HSP-242	
	J3002	QNB0035-001	SPK TERMINAL	KUNMIG HSP-324V	
	J3003	QNS0072-001	HEADPHONE JACK		
	K9401	QQR0786-001Z	INDUCTOR		
	L 901	QQR1145-001	LINE FILTER		
	L3070	QQR0868-001Z	INDUCTOR		
	Q1010	2SD2144S/VW/-T	TRANSISTOR		
	Q1031	KTC3199/GL/-T	TRANSISTOR		
	Q1041	KTC3203/OY/-T	TRANSISTOR		
	Q1070	KTC3199/GL/-T	TRANSISTOR		
	Q2010	2SD2144S/VW/-T	TRANSISTOR		
	Q2031	KTC3199/GL/-T	TRANSISTOR		
	Q2041	KTC3203/OY/-T	TRANSISTOR		
	Q2070	KTC3199/GL/-T	TRANSISTOR		
	Q3010	KTC3199/GL/-T	TRANSISTOR		

■ Electrical parts list (Main board)

Block No. 01

△	Item	Parts number	Parts name	Remarks	Area	△	Item	Parts number	Parts name	Remarks	Area
	Q3041	KRA101M-T	TRANSISTOR				R2027	QRE141J-103Y	C RESISTOR	10K 5% 1/4W	
	Q3070	KRA101M-T	TRANSISTOR				R2028	QRE141J-472Y	C RESISTOR	4.7K 5% 1/4W	
△	Q9001	2SB1565/EF/	TRANSISTOR				R2029	QRE141J-472Y	C RESISTOR	4.7K 5% 1/4W	
	Q9002	KTC3199/GL/-T	TRANSISTOR				R2031	QRE141J-223Y	C RESISTOR	22K 5% 1/4W	
	Q9003	KTA1267/YG/-T	TRANSISTOR				R2032	QRE141J-223Y	C RESISTOR	22K 5% 1/4W	
	Q9004	KRC114M-T	TRANSISTOR				R2033	QRE141J-103Y	C RESISTOR	10K 5% 1/4W	
	Q9005	KRA114M-T	TRANSISTOR				R2041	QRE141J-472Y	C RESISTOR	4.7K 5% 1/4W	
	Q9006	KTC3199/GL/-T	TRANSISTOR				R2051	QRE141J-154Y	C RESISTOR	150K 5% 1/4W	
	Q9007	KTC3199/GL/-T	TRANSISTOR				R2052	QRE141J-102Y	C RESISTOR	1.0K 5% 1/4W	
△	Q9201	2SA1359/OY/	TRANSISTOR				R2054	QRE141J-472Y	C RESISTOR	4.7K 5% 1/4W	
	Q9202	KTC3199/GL/-T	TRANSISTOR				R2055	QRE141J-332Y	C RESISTOR	3.3K 5% 1/4W	
	Q9301	KTA1267/YG/-T	TRANSISTOR				R2056	QRE141J-103Y	C RESISTOR	10K 5% 1/4W	
	Q9302	KTC3199/GL/-T	TRANSISTOR				R2057	QRE141J-124Y	C RESISTOR	120K 5% 1/4W	
	Q9501	KTC3203/OY/-T	TRANSISTOR				R2058	QRE141J-823Y	C RESISTOR	82K 5% 1/4W	
	R1001	QRE141J-2R2Y	C RESISTOR	2.2 5% 1/4W			R2070	QRE141J-183Y	C RESISTOR	18K 5% 1/4W	
	R1002	QRE141J-2R2Y	C RESISTOR	2.2 5% 1/4W			R2071	QRE141J-153Y	C RESISTOR	15K 5% 1/4W	
	R1003	QRE141J-151Y	C RESISTOR	150 5% 1/4W			R2072	QRE141J-272Y	C RESISTOR	2.7K 5% 1/4W	
	R1004	QRE141J-471Y	C RESISTOR	470 5% 1/4W			R2073	QRE141J-102Y	C RESISTOR	1.0K 5% 1/4W	
	R1011	QRE141J-224Y	C RESISTOR	220K 5% 1/4W			R2074	QRE141J-152Y	C RESISTOR	1.5K 5% 1/4W	
	R1012	QRE141J-623Y	C RESISTOR	62K 5% 1/4W			R2082	QRE141J-302Y	C RESISTOR	3.0K 5% 1/4W	
	R1013	QRE141J-153Y	C RESISTOR	15K 5% 1/4W			R2083	QRE141J-182Y	C RESISTOR	1.8K 5% 1/4W	
	R1014	QRE141J-272Y	C RESISTOR	2.7K 5% 1/4W			R2091	QRE141J-333Y	C RESISTOR	33K 5% 1/4W	
	R1015	QRE141J-153Y	C RESISTOR	15K 5% 1/4W			R2093	QRE141J-103Y	C RESISTOR	10K 5% 1/4W	
	R1022	QRE141J-224Y	C RESISTOR	220K 5% 1/4W			R3001	QRE141J-103Y	C RESISTOR	10K 5% 1/4W	
	R1023	QRE141J-182Y	C RESISTOR	1.8K 5% 1/4W			R3010	QRE141J-103Y	C RESISTOR	10K 5% 1/4W	
	R1024	QRE141J-202Y	C RESISTOR	2.0K 5% 1/4W			R3021	QRE141J-101Y	C RESISTOR	100 5% 1/4W	
	R1026	QRE141J-153Y	C RESISTOR	15K 5% 1/4W			R3022	QRE141J-152Y	C RESISTOR	1.5K 5% 1/4W	
	R1027	QRE141J-103Y	C RESISTOR	10K 5% 1/4W			R3031	QRE141J-472Y	C RESISTOR	4.7K 5% 1/4W	
	R1028	QRE141J-472Y	C RESISTOR	4.7K 5% 1/4W			R3032	QRE141J-472Y	C RESISTOR	4.7K 5% 1/4W	
	R1029	QRE141J-472Y	C RESISTOR	4.7K 5% 1/4W			R3033	QRE141J-124Y	C RESISTOR	120K 5% 1/4W	
	R1031	QRE141J-223Y	C RESISTOR	22K 5% 1/4W			R3034	QRE141J-154Y	C RESISTOR	150K 5% 1/4W	
	R1032	QRE141J-223Y	C RESISTOR	22K 5% 1/4W			R3035	QRE141J-223Y	C RESISTOR	22K 5% 1/4W	
	R1033	QRE141J-103Y	C RESISTOR	10K 5% 1/4W			R3036	QRE141J-513Y	C RESISTOR	51K 5% 1/4W	
	R1041	QRE141J-472Y	C RESISTOR	4.7K 5% 1/4W			R3051	QRE141J-101Y	C RESISTOR	100 5% 1/4W	
	R1051	QRE141J-154Y	C RESISTOR	150K 5% 1/4W			R3052	QRE141J-473Y	C RESISTOR	47K 5% 1/4W	
	R1052	QRE141J-102Y	C RESISTOR	1.0K 5% 1/4W			R3053	QRE141J-473Y	C RESISTOR	47K 5% 1/4W	
	R1054	QRE141J-472Y	C RESISTOR	4.7K 5% 1/4W			R3081	QRE141J-101Y	C RESISTOR	100 5% 1/4W	
	R1055	QRE141J-332Y	C RESISTOR	3.3K 5% 1/4W			R3082	QRE141J-124Y	C RESISTOR	120K 5% 1/4W	
	R1056	QRE141J-103Y	C RESISTOR	10K 5% 1/4W			R3083	QRE141J-154Y	C RESISTOR	150K 5% 1/4W	
	R1057	QRE141J-124Y	C RESISTOR	120K 5% 1/4W			R3084	QRE141J-124Y	C RESISTOR	120K 5% 1/4W	
	R1058	QRE141J-823Y	C RESISTOR	82K 5% 1/4W			R8001	QRE141J-102Y	C RESISTOR	1.0K 5% 1/4W	
	R1070	QRE141J-183Y	C RESISTOR	18K 5% 1/4W			R8002	QRE141J-102Y	C RESISTOR	1.0K 5% 1/4W	
	R1071	QRE141J-153Y	C RESISTOR	15K 5% 1/4W			R8003	QRE141J-122Y	C RESISTOR	1.2K 5% 1/4W	
	R1072	QRE141J-272Y	C RESISTOR	2.7K 5% 1/4W			R8005	QRE141J-473Y	C RESISTOR	47K 5% 1/4W	
	R1073	QRE141J-102Y	C RESISTOR	1.0K 5% 1/4W			R8011	QRE141J-102Y	C RESISTOR	1.0K 5% 1/4W	
	R1074	QRE141J-152Y	C RESISTOR	1.5K 5% 1/4W			R8012	QRE141J-102Y	C RESISTOR	1.0K 5% 1/4W	
	R1082	QRE141J-302Y	C RESISTOR	3.0K 5% 1/4W			R8013	QRE141J-122Y	C RESISTOR	1.2K 5% 1/4W	
	R1083	QRE141J-182Y	C RESISTOR	1.8K 5% 1/4W			R8014	QRE141J-152Y	C RESISTOR	1.5K 5% 1/4W	
	R1091	QRE141J-333Y	C RESISTOR	33K 5% 1/4W			R8015	QRE141J-222Y	C RESISTOR	2.2K 5% 1/4W	
	R1093	QRE141J-103Y	C RESISTOR	10K 5% 1/4W			R8016	QRE141J-272Y	C RESISTOR	2.7K 5% 1/4W	
	R2001	QRE141J-2R2Y	C RESISTOR	2.2 5% 1/4W			R8017	QRE141J-392Y	C RESISTOR	3.9K 5% 1/4W	
	R2002	QRE141J-2R2Y	C RESISTOR	2.2 5% 1/4W			R8018	QRE141J-562Y	C RESISTOR	5.6K 5% 1/4W	
	R2003	QRE141J-151Y	C RESISTOR	150 5% 1/4W			R8019	QRE141J-103Y	C RESISTOR	10K 5% 1/4W	
	R2004	QRE141J-471Y	C RESISTOR	470 5% 1/4W			R8101	QRE141J-271Y	C RESISTOR	270 5% 1/4W	
	R2011	QRE141J-224Y	C RESISTOR	220K 5% 1/4W			R9001	QRE141J-1R0Y	C RESISTOR	1.0 5% 1/4W	
	R2012	QRE141J-623Y	C RESISTOR	62K 5% 1/4W			R9002	QRE141J-1R0Y	C RESISTOR	1.0 5% 1/4W	
	R2013	QRE141J-153Y	C RESISTOR	15K 5% 1/4W			R9003	QRE141J-1R0Y	C RESISTOR	1.0 5% 1/4W	
	R2014	QRE141J-272Y	C RESISTOR	2.7K 5% 1/4W			R9004	QRE141J-471Y	C RESISTOR	470 5% 1/4W	
	R2015	QRE141J-153Y	C RESISTOR	15K 5% 1/4W			R9005	QRE141J-152Y	C RESISTOR	1.5K 5% 1/4W	
	R2022	QRE141J-224Y	C RESISTOR	220K 5% 1/4W			R9006	QRE141J-242Y	C RESISTOR	2.4K 5% 1/4W	
	R2023	QRE141J-182Y	C RESISTOR	1.8K 5% 1/4W			R9007	QRE141J-102Y	C RESISTOR	1.0K 5% 1/4W	
	R2024	QRE141J-202Y	C RESISTOR	2.0K 5% 1/4W			R9008	QRE141J-682Y	C RESISTOR	6.8K 5% 1/4W	
	R2026	QRE141J-153Y	C RESISTOR	15K 5% 1/4W			R9012	QRE141J-472Y	C RESISTOR	4.7K 5% 1/4W	

■ Electrical parts list (Main board)

Block No. 01

△	Item	Parts number	Parts name	Remarks	Area
	R9013	QRE141J-471Y	C RESISTOR	470 5% 1/4W	
	R9014	QRE141J-472Y	C RESISTOR	4.7K 5% 1/4W	
	R9016	QRE141J-472Y	C RESISTOR	4.7K 5% 1/4W	
	R9017	QRE141J-472Y	C RESISTOR	4.7K 5% 1/4W	
	R9018	QRE141J-103Y	C RESISTOR	10K 5% 1/4W	
	R9019	QRE141J-391Y	C RESISTOR	390 5% 1/4W	
	R9021	QRZ9005-680X	F RESISTOR	68 1/0W	
	R9201	QRE141J-103Y	C RESISTOR	10K 5% 1/4W	
	R9202	QRE141J-103Y	C RESISTOR	10K 5% 1/4W	
	R9203	QRE141J-221Y	C RESISTOR	220 5% 1/4W	
	R9301	QRE141J-472Y	C RESISTOR	4.7K 5% 1/4W	
	R9302	QRE141J-333Y	C RESISTOR	33K 5% 1/4W	
	R9303	QRE141J-102Y	C RESISTOR	1.0K 5% 1/4W	
	R9304	QRE141J-390Y	C RESISTOR	39 5% 1/4W	
△	R9401	QRZ9006-4R7X	F RESISTOR	4.7 1/0W	
	R9501	QRE141J-221Y	C RESISTOR	220 5% 1/4W	
	S8001	QSW0622-001Z	TACT SWITCH	POWER	
	S8002	QSW0622-001Z	TACT SWITCH	AUX	
	S8003	QSW0622-001Z	TACT SWITCH	VOLUME+	
	S8004	QSW0622-001Z	TACT SWITCH	VOLUME-	
	S8011	QSW0622-001Z	TACT SWITCH	TUNER	
	S8012	QSW0622-001Z	TACT SWITCH	UP	
	S8013	QSW0622-001Z	TACT SWITCH	STOP	
	S8014	QSW0622-001Z	TACT SWITCH	TAPE	
	S8015	QSW0622-001Z	TACT SWITCH	CD	
	S8016	QSW0622-001Z	TACT SWITCH	DOWN	
	S8017	QSW0622-001Z	TACT SWITCH	CLOCK	
	S8018	QSW0622-001Z	TACT SWITCH	REC	
	S8019	QSW0622-001Z	TACT SWITCH	SBASS	
	S8020	QSW0622-001Z	TACT SWITCH	SNOOSE	
	S8061	QSW0122-001	PUSH SWITCH	CD DOOR	
	Z 901	QNG0003-001Z	FUSE CLIP		
	Z 903	QNG0003-001Z	FUSE CLIP		
	Z 911	QNG0003-001Z	FUSE CLIP		
	Z 913	QNG0003-001Z	FUSE CLIP		

■ Electrical parts list (CD servo control board)

Block No. 02

△	Item	Parts number	Parts name	Remarks	Area
	C 604	QEK61AM-107Z-JB	E CAPACITOR	100MF 20% 10V	
	C 605	QETC1EM-106Z-JB	E CAPACITOR	10MF 20% 25V	
	C 606	QDGB1HK-102Y	C CAPACITOR		
	C 607	QDGB1HK-102Y	C CAPACITOR		
	C 608	QETC1HM-105Z-JB	E CAPACITOR	1.0MF 20% 50V	
	C 609	QCBB1HK-101Y	C CAPACITOR	100PF 10% 50V	
	C 610	QFN31HJ-273Z	M CAPACITOR	.027MF 5% 50V	
	C 611	QDXB1CM-472Y	C CAPACITOR		
	C 612	QDYB1CM-103Y	C CAPACITOR		
	C 613	QCBB1HK-331Y	C CAPACITOR	330PF 10% 50V	
	C 614	QFLC1HJ-104Z	M CAPACITOR	.10MF 5% 50V	
	C 615	QDVB1EZ-223Y	C CAPACITOR		
	C 616	QDVB1EZ-223Y	C CAPACITOR		
	C 617	QDVB1EZ-223Y	C CAPACITOR		
	C 618	QDXB1CM-222Y	C CAPACITOR		
	C 619	QCBB1HK-271Y	C CAPACITOR	270PF 10% 50V	
	C 620	QCBB1HK-181Y	C CAPACITOR	180PF 10% 50V	
	C 622	QETC1AM-476Z-JB	E CAPACITOR	47MF 20% 10V	
	C 623	QFLC1HJ-104Z	M CAPACITOR	.10MF 5% 50V	
	C 624	QDVB1EZ-223Y	C CAPACITOR		
	C 628	QDX31EM-473Z	C CAPACITOR		
	C 629	QETC1AM-107Z-JB	E CAPACITOR	100MF 20% 10V	
	C 631	QETC1AM-477Z-JB	E CAPACITOR	470MF 20% 10V	
	C 632	QEK61AM-107Z-JB	E CAPACITOR	100MF 20% 10V	
	C 633	QCBB1HK-101Y	C CAPACITOR	100PF 10% 50V	
	C 634	QCBB1HK-101Y	C CAPACITOR	100PF 10% 50V	
	C 635	QCBB1HK-101Y	C CAPACITOR	100PF 10% 50V	
	C 636	QCBB1HK-101Y	C CAPACITOR	100PF 10% 50V	
	C 637	QDYB1CM-822Y	C CAPACITOR		
	C 651	QCSB1HJ-120Y	C CAPACITOR	12PF 5% 50V	
	C 652	QCS11HJ-150	C CAPACITOR	15PF 5% 50V	
	C 653	QDVB1EZ-223Y	C CAPACITOR		
	C 655	QDX31EM-473Z	C CAPACITOR		
	C 661	QCBB1HK-471Y	C CAPACITOR	470PF 10% 50V	
	C 662	QDVB1EZ-223Y	C CAPACITOR		
	C 663	QFN31HJ-223Z	M CAPACITOR	.022MF 5% 50V	
	C 664	QDVB1EZ-223Y	C CAPACITOR		
	C 665	QFVJ1HJ-104Z	MF CAPACITOR	.10MF 5% 50V	
	C 671	QDXB1CM-152Y	C CAPACITOR		
	C 672	QDXB1CM-152Y	C CAPACITOR		
	C 673	QETC1CM-227Z	E CAPACITOR	220MF 20% 16V	
	C 674	QDVB1EZ-223Y	C CAPACITOR		
	C 675	QDGB1HK-102Y	C CAPACITOR		
	C 676	QDGB1HK-102Y	C CAPACITOR		
	C 691	QCBB1HK-151Y	C CAPACITOR	150PF 10% 50V	
	C 692	QCBB1HK-151Y	C CAPACITOR	150PF 10% 50V	
	C 693	QCBB1HK-151Y	C CAPACITOR	150PF 10% 50V	
	CN601	QGF1008F1-15	21-41 CONNECTOR	TO RF	
	CN603	QGF1201F3-07	CONNECTOR	TO AUDIO	
	CN604	QGF1201F3-11	CONNECTOR	TO MICON	
	CN605	QGA2501F1-03	CONNECTOR	TO DIGITAL OUT	
	D 661	1SS254-T2	SI DIODE		
	IC601	AN8806SB	IC	RF AMP	
	IC602	BA6897FP	IC		
	IC603	MN35510	IC	1CHIP PROCESSER	
	Q 601	2SA952/LK-T	TRANSISTOR		
	Q 631	2SA952/LK-T	TRANSISTOR		
	R 601	QRE141J-113Y	C RESISTOR	11K 5% 1/4W	
	R 603	QRE141J-125Y	C RESISTOR	1.2M 5% 1/4W	
	R 605	QRE141J-274Y	C RESISTOR	270K 5% 1/4W	
	R 606	QRE141J-154Y	C RESISTOR	150K 5% 1/4W	
	R 607	QRE141J-273Y	C RESISTOR	27K 5% 1/4W	
	R 609	QRE141J-104Y	C RESISTOR	100K 5% 1/4W	

△	Item	Parts number	Parts name	Remarks	Area
	R 610	QRE141J-154Y	C RESISTOR	150K 5% 1/4W	
	R 612	QRE141J-102Y	C RESISTOR	1.0K 5% 1/4W	
	R 613	QRE141J-121Y	C RESISTOR	120 5% 1/4W	
	R 614	QRE141J-100Y	C RESISTOR	10 5% 1/4W	
	R 615	QRE141J-120Y	C RESISTOR	12 5% 1/4W	
	R 616	QRE141J-910Y	C RESISTOR	91 5% 1/4W	
	R 621	QRE141J-330Y	C RESISTOR	33 5% 1/4W	
	R 622	QRE141J-330Y	C RESISTOR	33 5% 1/4W	
	R 623	QRE141J-330Y	C RESISTOR	33 5% 1/4W	
	R 631	QRE141J-331Y	C RESISTOR	330 5% 1/4W	
	R 632	QRE141J-101Y	C RESISTOR	100 5% 1/4W	
	R 633	QRE141J-273Y	C RESISTOR	27K 5% 1/4W	
	R 634	QRE141J-222Y	C RESISTOR	2.2K 5% 1/4W	
	R 641	QRE141J-563Y	C RESISTOR	56K 5% 1/4W	
	R 642	QRE141J-123Y	C RESISTOR	12K 5% 1/4W	
	R 643	QRE141J-822Y	C RESISTOR	8.2K 5% 1/4W	
	R 644	QRE141J-223Y	C RESISTOR	22K 5% 1/4W	
	R 645	QRE141J-223Y	C RESISTOR	22K 5% 1/4W	
	R 646	QRE141J-222Y	C RESISTOR	2.2K 5% 1/4W	
	R 647	QRE141J-472Y	C RESISTOR	4.7K 5% 1/4W	
	R 651	QRE141J-102Y	C RESISTOR	1.0K 5% 1/4W	
	R 652	QRE141J-102Y	C RESISTOR	1.0K 5% 1/4W	
	R 653	QRE141J-102Y	C RESISTOR	1.0K 5% 1/4W	
	R 654	QRE141J-102Y	C RESISTOR	1.0K 5% 1/4W	
	R 655	QRE141J-471Y	C RESISTOR	470 5% 1/4W	
	R 659	QRE141J-471Y	C RESISTOR	470 5% 1/4W	
	R 661	QRE141J-683Y	C RESISTOR	68K 5% 1/4W	
	R 662	QRE141J-155Y	C RESISTOR	1.5M 5% 1/4W	
	R 663	QRE141J-124Y	C RESISTOR	120K 5% 1/4W	
	R 664	QRE141J-471Y	C RESISTOR	470 5% 1/4W	
	R 666	QRE141J-220Y	C RESISTOR	22 5% 1/4W	
	R 671	QRE141J-102Y	C RESISTOR	1.0K 5% 1/4W	
	R 672	QRE141J-102Y	C RESISTOR	1.0K 5% 1/4W	
	R 681	QRE141J-474Y	C RESISTOR	470K 5% 1/4W	
	X 651	QAX0378-001	RESONATOR	16.9344MHZ	

■ Electrical parts list (LCD system & CPU board)

Block No. 03

△	Item	Parts number	Parts name	Remarks	Area	△	Item	Parts number	Parts name	Remarks	Area
	BL701	QLL0044-001	P LAMP				D7091	1SS254-T2	SI DIODE	US5V	
	BL702	QLL0044-001	P LAMP				IC701	UPD78064GF-149	IC	SYSTEM MICON	
	CN701	QGF1201F3-10	CONNECTOR	TO TUNER PWB			IC702	PIC-21043SP	REMOKON SENSOR		
	CN711	QGB1214K1-20S	CONNECTOR	TO AMP PWB CONT		△	IC703	KIA78S06P	IC	US6V REG	
	CN712	QGB1214K1-06S	CONNECTOR	TO AMP PWB SIG.			K7001	QQR0786-001Z	INDUCTOR	ICVSS	
	CN731	QGF1201C3-09	CONNECTOR	TO MECHA PWB			K7002	QQR0786-001Z	INDUCTOR	AVSS	
	CN766	QGF1201F3-11	CONNECTOR	TO CD PWB			K7003	QQR0786-001Z	INDUCTOR		
	CN781	QGB2016K1-03	CONNECTOR	TO FRONT SW PWB			K7004	QQR0786-001Z	INDUCTOR		
	CN782	QGF1201C3-05	FFC CONNE	TO TOP SW PWB			L7002	QQL01BK-100Z	INDUCTOR	US5V	
	C7001	NCS21HJ-180X	C CAPACITOR				L7003	QQL01BK-470Z	INDUCTOR	AVDD	
	C7002	NCS21HJ-180X	C CAPACITOR				L7005	QQL231K-4R7Y	INDUCTOR	AVREF	
	C7003	NCB21HK-103X	C CAPACITOR				Q7001	2SC2668/O-T	TRANSISTOR	CLOCK SHIFT	
	C7004	NCS21HJ-360X	C CAPACITOR				Q7002	2SC2668/O-T	TRANSISTOR	CLOCK SHIFT	
	C7005	NCS21HJ-390X	C CAPACITOR				Q7031	2SA1037AK/RS/-X	TRANSISTOR	SW5V	
	C7006	NCS21HJ-200X	C CAPACITOR				Q7051	DTC114TKA-X	TRANSISTOR	RESET SW	
	C7007	NCS21HJ-220X	C CAPACITOR				Q7061	2SC2412K/R/-X	TRANSISTOR	BACKUP CONT	
	C7008	NCB21HK-102X	C CAPACITOR				Q7091	2SC2412K/R/-X	TRANSISTOR	POUT DRIVER	
	C7009	NCB21HK-102X	C CAPACITOR				Q7092	2SA1037AK/RS/-X	TRANSISTOR	STANDBY LED CON	
	C7011	QER41AM-107	E CAPACITOR	100MF 20% 10V			Q7601	DTC144TKA-X	TRANSISTOR		
	C7012	NCB21HK-103X	C CAPACITOR				Q7602	DTC144TKA-X	TRANSISTOR		
	C7013	QFLC1HJ-104Z	M CAPACITOR	.10MF 5% 50V			Q7603	2SC2412K/R/-X	TRANSISTOR		
	C7014	QER41CM-106	E CAPACITOR	10MF 20% 16V			R7005	NRSA02J-822X	MG RESISTOR		
	C7021	QER41CM-476	E CAPACITOR	47MF 20% 16V			R7006	NRSA02J-822X	MG RESISTOR		
	C7022	NCB21HK-102X	C CAPACITOR				R7031	NRSA02J-331X	MG RESISTOR		
	C7031	QETB0JM-228	E CAPACITOR	2200MF 20% 6.3V			R7032	NRSA02J-103X	MG RESISTOR		
	C7051	QER61HM-684Z	E CAPACITOR	.68MF 20% 50V			R7033	NRSA02J-102X	MG RESISTOR		
	C7052	QER61HM-225Z	E CAPACITOR	2.2MF 20% 50V			R7051	NRSA02J-103X	MG RESISTOR		
	C7081	NCB21EK-104X	C CAPACITOR				R7052	NRSA02J-103X	MG RESISTOR		
	C7601	NCS21HJ-151X	C CAPACITOR				R7061	NRSA02J-333X	MG RESISTOR		
	C7602	NCS21HJ-151X	C CAPACITOR				R7062	NRSA02J-473X	MG RESISTOR		
	C7619	NCS21HJ-271X	C CAPACITOR				R7063	NRSA02J-104X	MG RESISTOR		
	C7620	NCS21HJ-271X	C CAPACITOR				R7081	NRSA02J-104X	MG RESISTOR		
	C7621	NCS21HJ-271X	C CAPACITOR				R7082	NRSA02J-104X	MG RESISTOR		
	C7622	NCS21HJ-271X	C CAPACITOR				R7083	NRSA02J-104X	MG RESISTOR		
	C7633	NCB21HK-102X	C CAPACITOR				R7084	NRSA02J-273X	MG RESISTOR		
	C7641	NCS21HJ-151X	C CAPACITOR				R7093	NRSA02J-153X	MG RESISTOR		
	C7644	QER41HM-105	E CAPACITOR	1.0MF 20% 50V			R7095	NRSA02J-333X	MG RESISTOR		
	C7646	QER41HM-105	E CAPACITOR	1.0MF 20% 50V			R7096	NRSA02J-102X	MG RESISTOR		
	C7701	NCS21HJ-151X	C CAPACITOR				R7429	NRSA02J-913X	MG RESISTOR		
	C7702	NCS21HJ-151X	C CAPACITOR				R7528	NRSA02J-223X	MG RESISTOR		
	C7705	NCS21HJ-331X	C CAPACITOR				R7529	NRSA02J-473X	MG RESISTOR		
	C7734	NCB21HK-102X	C CAPACITOR				R7530	NRSA02J-103X	MG RESISTOR		
	C7744	QER61HM-225Z	E CAPACITOR	2.2MF 20% 50V			R7544	NRSA02J-114X	MG RESISTOR		
	C7745	QER61HM-335Z	E CAPACITOR	3.3MF 20% 50V			R7545	NRSA02J-114X	MG RESISTOR		
	C7746	QER61HM-225Z	E CAPACITOR	2.2MF 20% 50V			R7602	NRSA02J-102X	MG RESISTOR		
	C7801	NCB21HK-103X	C CAPACITOR				R7614	NRSA02J-103X	MG RESISTOR		
	C7802	NCB21HK-103X	C CAPACITOR				R7615	NRSA02J-103X	MG RESISTOR		
	C7803	NCB21HK-103X	C CAPACITOR				R7619	NRSA02J-122X	MG RESISTOR		
	C7804	NCB21HK-103X	C CAPACITOR				R7620	NRSA02J-102X	MG RESISTOR		
	C7805	NCB21HK-103X	C CAPACITOR				R7621	NRSA02J-122X	MG RESISTOR		
	C7806	NCB21HK-103X	C CAPACITOR				R7622	NRSA02J-102X	MG RESISTOR		
	C7807	NCB21HK-103X	C CAPACITOR				R7625	NRSA02J-823X	MG RESISTOR		
	C7808	NCB21HK-103X	C CAPACITOR				R7628	NRSA02J-823X	MG RESISTOR		
	C7809	NCB21HK-102X	C CAPACITOR				R7629	NRSA02J-103X	MG RESISTOR		
	C7810	NCB21HK-103X	C CAPACITOR				R7630	NRSA02J-563X	MG RESISTOR		
	DI701	QLD0042-001	LCD	44PIN			R7631	NRSA02J-104X	MG RESISTOR		
	D7001	1SS254-T2	SI DIODE	US5V			R7632	NRSA02J-103X	MG RESISTOR		
△	D7011	MTZJ8.2B-T2	DIODE	SHORT HOGO			R7633	NRSA02J-103X	MG RESISTOR		
△	D7012	1SS254-T2	SI DIODE	SHORT HOGO			R7634	NRSA02J-103X	MG RESISTOR		
	D7031	1SS254-T2	SI DIODE	BUCKUP			R7635	NRSA02J-104X	MG RESISTOR		
	D7032	1SS254-T2	SI DIODE	CLOCK			R7639	NRSA02J-222X	MG RESISTOR		
	D7051	1SS254-T2	SI DIODE	RESET			R7641	NRSA02J-102X	MG RESISTOR		
	D7061	MTZJ5.1C-T2	ZENER DIODE	BUCKUP CONT.			R7642	NRSA02J-102X	MG RESISTOR		

■ Electrical parts list (LCD system & CPU board)

Block No. 03

△	Item	Parts number	Parts name	Remarks	Area
	R7643	NRSA02J-103X	MG RESISTOR		
	R7644	NRSA02J-683X	MG RESISTOR		
	R7646	NRSA02J-683X	MG RESISTOR		
	R7647	NRSA02J-104X	MG RESISTOR		
	R7648	NRSA02J-394X	MG RESISTOR		
	R7649	NRSA02J-823X	MG RESISTOR		
	R7701	NRSA02J-223X	MG RESISTOR		
	R7702	NRSA02J-103X	MG RESISTOR		
	R7703	NRSA02J-102X	MG RESISTOR		
	R7704	NRSA02J-103X	MG RESISTOR		
	R7705	NRSA02J-102X	MG RESISTOR		
	R7706	QRE141J-102Y	C RESISTOR	1.0K 5% 1/4W	
	R7707	QRE141J-102Y	C RESISTOR	1.0K 5% 1/4W	
	R7711	NRSA02J-222X	MG RESISTOR		
	R7712	NRSA02J-102X	MG RESISTOR		
	R7713	NRSA02J-222X	MG RESISTOR		
	R7715	NRSA02J-222X	MG RESISTOR		
	R7716	NRSA02J-472X	MG RESISTOR		
	R7717	NRSA02J-472X	MG RESISTOR		
	R7718	NRSA02J-222X	MG RESISTOR		
	R7719	NRSA02J-102X	MG RESISTOR		
	R7720	NRSA02J-102X	MG RESISTOR		
	R7721	NRSA02J-102X	MG RESISTOR		
	R7722	NRSA02J-102X	MG RESISTOR		
	R7723	NRSA02J-222X	MG RESISTOR		
	R7724	NRSA02J-222X	MG RESISTOR		
	R7725	NRSA02J-222X	MG RESISTOR		
	R7726	NRSA02J-222X	MG RESISTOR		
	R7728	NRSA02J-222X	MG RESISTOR		
	R7729	NRSA02J-222X	MG RESISTOR		
	R7730	NRSA02J-222X	MG RESISTOR		
	R7731	NRSA02J-222X	MG RESISTOR		
	R7732	NRSA02J-222X	MG RESISTOR		
	R7733	NRSA02J-222X	MG RESISTOR		
	R7734	NRSA02J-222X	MG RESISTOR		
	R7735	NRSA02J-222X	MG RESISTOR		
	R7738	NRSA02J-222X	MG RESISTOR		
	R7739	NRSA02J-222X	MG RESISTOR		
	R7741	NRSA02J-222X	MG RESISTOR		
	R7742	NRSA02J-222X	MG RESISTOR		
	R7743	NRSA02J-222X	MG RESISTOR		
	R7744	NRSA02J-563X	MG RESISTOR		
	R7745	NRSA02J-473X	MG RESISTOR		
	R7746	NRSA02J-333X	MG RESISTOR		
	R7747	NRSA02J-222X	MG RESISTOR		
	R7748	NRSA02J-153X	MG RESISTOR		
	R7749	NRSA02J-123X	MG RESISTOR		
	R7750	NRSA02J-222X	MG RESISTOR		
	R7799	NRSA02J-102X	MG RESISTOR		
	X7001	QAX0401-001	CRYSTAL	CLOCK	
	X7002	QAX0410-001	CERA LOCK	MAIN CLOCK	

■ Electrical parts list (Tuner board)

Block No. 04

△	Item	Parts number	Parts name	Remarks	Area	△	Item	Parts number	Parts name	Remarks	Area
	C 1	NCB21HK-223X	C CAPACITOR				D 2	1SS254-T2	SI DIODE		
	C 3	NCB21EK-473X	C CAPACITOR				D 3	1SS254-T2	SI DIODE		
	C 4	NCB21HK-103X	C CAPACITOR				D 4	1SS254-T2	SI DIODE		
	C 5	QEK61CM-106Z-JB	E CAPACITOR	10MF 20% 16V			D 5	1SS254-T2	SI DIODE		
	C 8	NCB21HK-103X	C CAPACITOR				D 6	1SS254-T2	SI DIODE		
	C 9	NCB21HK-102X	C CAPACITOR				D 20	KV1555N-T	VARI CAPACITOR		
	C 21	NCB21EK-473X	C CAPACITOR				D 21	KV1555N-T	VARI CAPACITOR		
	C 23	NCS21HJ-3R0X	C CAPACITOR				IC 1	TA2057N	IC		
	C 30	QEK61CM-476Z-JB	E CAPACITOR	47MF 20% 16V			IC 2	LC72136N	IC		
	C 31	NCS21HJ-2R0X	C CAPACITOR				J 1	QNB0008-001	ANT TERMINAL	AM/FM ANT	
	C 32	NCB21HK-102X	C CAPACITOR				L 1	QQR0796-001	COIL BLOCK	MW RF/OSC	
	C 33	QEK61AM-107Z-JB	E CAPACITOR	100MF 20% 10V			L 4	QQL231K-221Y	INDUCTOR		
	C 34	NCS21HJ-150X	C CAPACITOR				L 5	QQL231K-220Y	INDUCTOR		
	C 35	NCB21HK-102X	C CAPACITOR				L 6	QQR0792-001	OSC COIL	SW1 OSC	
	C 36	QEK61CM-106Z-JB	E CAPACITOR	10MF 20% 16V			L 7	QQR0791-001	RF COIL	SW2 RF	
	C 37	NCB21EK-473X	C CAPACITOR				L 8	QQR0791-001	RF COIL	SW2 OSC	
	C 39	NCB21EK-473X	C CAPACITOR				L 10	QQR0874-001	COIL		
	C 40	NCB21HK-103X	C CAPACITOR				L 11	QQR0874-001	COIL		
	C 41	QEK61HM-104Z-JB	E CAPACITOR	.10MF 20% 50V			L 12	QQL231K-221Y	INDUCTOR		
	C 42	QEK61HM-474Z-JB	E CAPACITOR	.47MF 20% 50V			Q 1	2SC2668/O-T	TRANSISTOR		
	C 44	NCS21HJ-221X	C CAPACITOR				Q 2	DTA114TKA-X	DIGITAL TR	SW1 SWITCH	
	C 45	QEK61HM-335Z-JB	E CAPACITOR	3.3MF 20% 50V			Q 3	DTA114TKA-X	DIGITAL TR	MW SWITCH	
	C 46	NCB21HK-223X	C CAPACITOR				Q 6	DTA114YKA-X	TRANSISTOR		
	C 47	NCB21HK-103X	C CAPACITOR				Q 7	2SA1037K/R/-X	TRANSISTOR		
	C 49	NCB21HK-153X	C CAPACITOR				Q 8	2SA1037K/R/-X	TRANSISTOR		
	C 50	NCB21HK-153X	C CAPACITOR				Q 12	2SD2144S/VW-T	TRANSISTOR	MW SWITCH	
	C 51	QEK61HM-105Z-JB	E CAPACITOR	1.0MF 20% 50V			Q 13	2SC2668/O-T	TRANSISTOR	MW SWITCH	
	C 52	QEK61HM-105Z-JB	E CAPACITOR	1.0MF 20% 50V			Q 14	2SA1037K/R/-X	TRANSISTOR	MW SWITCH	
	C 55	NCS21HJ-120X	C CAPACITOR				Q 15	2SA1037K/R/-X	TRANSISTOR	MW SWITCH	
	C 60	QEK61AM-107Z-JB	E CAPACITOR	100MF 20% 10V			Q 21	DTA114TKA-X	DIGITAL TR	SW2 SWITCH	
	C 61	NCS21HJ-120X	C CAPACITOR				Q 22	2SC2668/O-T	TRANSISTOR	SW2 SWITCH	
	C 62	NCS21HJ-120X	C CAPACITOR				Q 24	2SD2144S/VW-T	TRANSISTOR	SW1 SWITCH	
	C 63	NCB21EK-473X	C CAPACITOR				Q 25	2SA1037K/R/-X	TRANSISTOR	SW1 SWITCH	
	C 65	NCB21HK-102X	C CAPACITOR				Q 26	DTA114TKA-X	DIGITAL TR	SW1 SWITCH	
	C 66	NCS21HJ-151X	C CAPACITOR				Q 27	2SC2668/O-T	TRANSISTOR	SW1 SWITCH	
	C 67	NCS21HJ-151X	C CAPACITOR				Q 28	2SA1037K/R/-X	TRANSISTOR	SW2 SWITCH	
	C 68	NCS21HJ-151X	C CAPACITOR				R 1	NRSA02J-102X	MG RESISTOR		
	C 69	QEK61HM-225Z-JB	E CAPACITOR	2.2MF 20% 50V			R 2	NRSA02J-821X	MG RESISTOR		
	C 70	NCB21HK-392X	C CAPACITOR				R 11	NRSA02J-104X	MG RESISTOR		
	C 71	QEK61HM-335Z-JB	E CAPACITOR	3.3MF 20% 50V			R 12	NRSA02J-222X	MG RESISTOR		
	C 72	NCB21HK-102X	C CAPACITOR				R 13	NRSA02J-103X	MG RESISTOR		
	C 80	NCS21HJ-8R0X	C CAPACITOR				R 14	NRSA02J-103X	MG RESISTOR		
	C 81	NCB21HK-122X	C CAPACITOR				R 15	NRSA02J-103X	MG RESISTOR		
	C 82	NCB21EK-473X	C CAPACITOR				R 18	NRSA02J-102X	MG RESISTOR		
	C 83	NCB21HK-103X	C CAPACITOR				R 20	NRSA02J-331X	MG RESISTOR		
	C 84	NCB21HK-103X	C CAPACITOR				R 21	NRSA02J-224X	MG RESISTOR		
	C 85	NCB21HK-102X	C CAPACITOR				R 22	NRSA02J-331X	MG RESISTOR		
	C 86	NCB21HK-102X	C CAPACITOR				R 23	NRSA02J-270X	MG RESISTOR		
	C 90	NCB21HK-682X	C CAPACITOR				R 24	NRSA02J-271X	MG RESISTOR		
	C 91	NCB21EK-473X	C CAPACITOR				R 25	NRSA02J-473X	MG RESISTOR		
	C 92	NCS21HJ-101X	C CAPACITOR				R 27	NRSA02J-223X	MG RESISTOR		
	C 93	NCS21HJ-100X	C CAPACITOR				R 28	NRSA02J-560X	MG RESISTOR		
	C 94	NCS21HJ-120X	C CAPACITOR				R 29	NRSA02J-473X	MG RESISTOR		
	C 95	NCS21HJ-102X	C CAPACITOR				R 30	NRSA02J-103X	MG RESISTOR		
	C 96	NCS21HJ-8R0X	C CAPACITOR				R 31	NRSA02J-103X	MG RESISTOR		
	C 97	NCS21HJ-4R0X	C CAPACITOR				R 32	NRSA02J-473X	MG RESISTOR		
	C 99	NCB21CK-104X	C CAPACITOR				R 34	NRSA02J-333X	MG RESISTOR		
	CF 1	QAX0419-001Z	C FILTER	FM IF			R 35	NRSA02J-333X	MG RESISTOR		
	CF 2	QAX0419-001Z	C FILTER	FM IF			R 36	NRSA02J-103X	MG RESISTOR		
	CF 3	QAX0418-001Z	C FILTER				R 37	NRSA02J-472X	MG RESISTOR		
	CF 4	QAX0409-001	CERA LOCK				R 38	NRSA02J-392X	MG RESISTOR		
	CN 1	QGF1201F3-10	CONNECTOR				R 39	NRSA02J-392X	MG RESISTOR		
	D 1	1SS254-T2	SI DIODE				R 42	NRSA02J-102X	MG RESISTOR		

■ Electrical parts list (Tuner board)

Block No. 04

△	Item	Parts number	Parts name	Remarks	Area
	R 43	NRSA02J-102X	MG RESISTOR		
	R 44	NRSA02J-102X	MG RESISTOR		
	R 45	NRSA02J-102X	MG RESISTOR		
	R 46	NRSA02J-473X	MG RESISTOR		
	R 48	NRSA02J-102X	MG RESISTOR		
	R 52	NRSA02J-472X	MG RESISTOR		
	R 54	NRSA02J-472X	MG RESISTOR		
	R 55	NRSA02J-182X	MG RESISTOR		
	R 56	NRSA02J-332X	MG RESISTOR		
	R 57	NRSA02J-102X	MG RESISTOR		
	R 62	NRSA02J-102X	MG RESISTOR		
	R 63	NRSA02J-103X	MG RESISTOR		
	R 65	NRSA02J-222X	MG RESISTOR		
	R 66	NRSA02J-222X	MG RESISTOR		
	R 68	NRSA02J-223X	MG RESISTOR		
	R 69	NRSA02J-103X	MG RESISTOR		
	R 81	NRSA02J-104X	MG RESISTOR		
	R 82	NRSA02J-104X	MG RESISTOR		
	R 83	NRSA02J-222X	MG RESISTOR		
	R 84	NRSA02J-223X	MG RESISTOR		
	R 85	NRSA02J-103X	MG RESISTOR		
	R 86	NRSA02J-102X	MG RESISTOR		
	R 90	NRSA02J-332X	MG RESISTOR		
	R 91	NRSA02J-104X	MG RESISTOR		
	R 92	NRSA02J-102X	MG RESISTOR		
	R 96	NRSA02J-102X	MG RESISTOR		
	R 97	NRSA02J-104X	MG RESISTOR		
	R 98	NRSA02J-103X	MG RESISTOR		
	T 1	QQR0793-001	IFT		
	TU 1	QAU0037-001	FRONT END	FM TU	
	X 1	QAX0402-001	CRYSTAL		

■ Electrical parts list

(Head amplifier & Mechanism control board)

Block No. 05

△	Item	Parts number	Parts name	Remarks	Area
	C 101	NCS21HJ-821X	C CAPACITOR		
	C 102	NCS21HJ-221X	C CAPACITOR		
	C 103	QEKJ0JM-227Z	E CAPACITOR	220MF 20% 6.3V	
	C 104	NCB21HK-333X	C CAPACITOR		
	C 105	NCB21HK-222X	C CAPACITOR		
	C 106	QEK41CM-106	E CAPACITOR	10MF 20% 16V	
	C 107	NCS21HJ-561X	C CAPACITOR		
	C 108	QEK41EM-475	E CAPACITOR	4.7MF 20% 25V	
	C 109	QEK41EM-475	E CAPACITOR	4.7MF 20% 25V	
	C 110	NCB21HK-682X	C CAPACITOR		
	C 111	NCB21HK-122X	C CAPACITOR		
	C 112	NCB21EK-683X	C CAPACITOR		
	C 113	NCB21HK-222X	C CAPACITOR		
	C 121	NCS21HJ-331X	C CAPACITOR		
	C 201	NCS21HJ-821X	C CAPACITOR		
	C 202	NCS21HJ-221X	C CAPACITOR		
	C 203	QEKJ0JM-227Z	E CAPACITOR	220MF 20% 6.3V	
	C 204	NCB21HK-333X	C CAPACITOR		
	C 205	NCB21HK-222X	C CAPACITOR		
	C 206	QEK41CM-106	E CAPACITOR	10MF 20% 16V	
	C 207	NCS21HJ-561X	C CAPACITOR		
	C 208	QEK41EM-475	E CAPACITOR	4.7MF 20% 25V	
	C 209	QEK41EM-475	E CAPACITOR	4.7MF 20% 25V	
	C 210	NCB21HK-682X	C CAPACITOR		
	C 211	NCB21HK-122X	C CAPACITOR		
	C 212	NCB21EK-683X	C CAPACITOR		
	C 213	NCB21HK-222X	C CAPACITOR		
	C 221	NCS21HJ-331X	C CAPACITOR		
	C 301	QEKJ1AM-107Z	E CAPACITOR	100MF 20% 10V	
	C 302	NCB21HK-393X	C CAPACITOR		
	C 303	QEKJ0JM-227Z	E CAPACITOR	220MF 20% 6.3V	
	C 304	QEKJ1CM-226Z	E CAPACITOR	22MF 20% 16V	
	C 305	QEKJ1CM-226Z	E CAPACITOR	22MF 20% 16V	
	C 306	QEK41CM-476	E CAPACITOR	47MF 20% 16V	
	C 307	NCB21HK-103X	C CAPACITOR		
	C 308	NCB21HK-562X	C CAPACITOR		
	C 309	NCB21HK-562X	C CAPACITOR		
	C 310	NCB21HK-223X	C CAPACITOR		
	C 311	NCB21HK-682X	C CAPACITOR		
	C 313	QEKJ1AM-107Z	E CAPACITOR	100MF 20% 10V	
	C 314	QCZ0205-155Z	ML C CAPACITOR	1.5MF	
	C 315	QCZ0205-155Z	ML C CAPACITOR	1.5MF	
	C 316	QFG32AJ-103Z	PP CAPACITOR	.010MF 5% 100V	
	C 318	NCB21HK-103X	C CAPACITOR		
	C 319	QFG32AJ-821Z	PP CAPACITOR	820PF 5% 100V	
	C 321	NCB21HK-103X	C CAPACITOR		
	C 322	QFG32AJ-152Z	PP CAPACITOR	1500PF 5% 100V	
	C 331	QEK41CM-476	E CAPACITOR	47MF 20% 16V	
	C 351	QEK41CM-106	E CAPACITOR	10MF 20% 16V	
	C 371	QEK41EM-475	E CAPACITOR	4.7MF 20% 25V	
	C 374	QEKJ1AM-107Z	E CAPACITOR	100MF 20% 10V	
	C 375	QEKJ1AM-107Z	E CAPACITOR	100MF 20% 10V	
	C 376	NCB21HK-103X	C CAPACITOR		
	CN 31	QGF1201F3-06	CONNECTOR	PRI/HEAD	
	CN 32	QGB2011M1-10	B TO B CONNECTO	PRI/MECHA	
	CN 33	QGF1205F1-09	CONNECTOR	PRI/MICON	
	CN 34	QGF1201F3-10	CONNECTOR	PRI/AMP	
	D 301	MA152WA-X	DIODE		
	D 309	MA704A-X	S.K.DIODE		
	D 375	MA3051M/-X	ZENER DIODE		
	FW 31	QUM024-06A2Z3	PARA RIBON WIRE		
	IC 31	BA3126N	IC	HEAD SW	
	IC 32	AN7317	IC	PB&REC	

△	Item	Parts number	Parts name	Remarks	Area
	IC 33	BU4094BCF-X	IC		
	L 301	QQR0620-001	OSC COIL(BIAS)		
	L 303	QQL01BK-100Z	INDUCTOR		
	Q 101	DTC114TKA-X	TRANSISTOR		
	Q 102	DTC114TKA-X	TRANSISTOR	REC EQ CONT.	
	Q 201	DTC114TKA-X	TRANSISTOR		
	Q 202	DTC114TKA-X	TRANSISTOR	REC EQ CONT.	
	Q 301	DTA144EKA-X	TRANSISTOR	REC EQ CONT.	
	Q 302	2SC2001/K/-T	TRANSISTOR		
	Q 303	2SC2001/K/-T	TRANSISTOR		
	Q 304	2SC2001/LK/-T	TRANSISTOR		
	Q 305	2SC2001/LK/-T	TRANSISTOR		
	Q 306	2SC2412K/RS/-X	CHIP TRANSISTOR		
	Q 307	2SC2412K/RS/-X	CHIP TRANSISTOR		
	Q 308	2SC2412K/RS/-X	CHIP TRANSISTOR		
	Q 309	2SC2412K/RS/-X	CHIP TRANSISTOR		
	Q 321	DTC144EKA-X	TRANSISTOR		
	Q 323	2SC2412K/RS/-X	CHIP TRANSISTOR		
	Q 371	2SA952/LK/-T	TRANSISTOR	MOTER+B	
	Q 372	DTC124EKA-X	TRANSISTOR		
	Q 375	2SB562/C/-T	TRANSISTOR	SOLENOID DRIVE	
	Q 376	2SC2412K/RS/-X	CHIP TRANSISTOR		
	R 101	NRSA63J-220X	MG RESISTOR		
	R 102	NRSA63J-182X	MG RESISTOR		
	R 103	NRSA63J-242X	MG RESISTOR		
	R 104	NRSA63J-122X	MG RESISTOR		
	R 105	NRSA63J-104X	MG RESISTOR		
	R 106	NRSA63J-332X	MG RESISTOR		
	R 107	NRSA63J-123X	MG RESISTOR		
	R 108	NRSA63J-562X	MG RESISTOR		
	R 109	NRSA63J-122X	MG RESISTOR		
	R 110	NRSA63J-472X	MG RESISTOR		
	R 111	NRSA63J-333X	MG RESISTOR		
	R 112	NRSA63J-222X	MG RESISTOR		
	R 113	NRSA63J-472X	MG RESISTOR		
	R 114	NRSA63J-272X	MG RESISTOR		
	R 116	NRSA63J-102X	MG RESISTOR		
	R 121	NRSA63J-102X	MG RESISTOR		
	R 201	NRSA63J-220X	MG RESISTOR		
	R 202	NRSA63J-182X	MG RESISTOR		
	R 203	NRSA63J-242X	MG RESISTOR		
	R 204	NRSA63J-122X	MG RESISTOR		
	R 205	NRSA63J-104X	MG RESISTOR		
	R 206	NRSA63J-332X	MG RESISTOR		
	R 207	NRSA63J-123X	MG RESISTOR		
	R 208	NRSA63J-562X	MG RESISTOR		
	R 209	NRSA63J-122X	MG RESISTOR		
	R 210	NRSA63J-472X	MG RESISTOR		
	R 211	NRSA63J-333X	MG RESISTOR		
	R 212	NRSA63J-222X	MG RESISTOR		
	R 213	NRSA63J-472X	MG RESISTOR		
	R 214	NRSA63J-272X	MG RESISTOR		
	R 216	NRSA63J-102X	MG RESISTOR		
	R 221	NRSA63J-102X	MG RESISTOR		
	R 301	NRS181J-221X	MG RESISTOR		
	R 303	NRSA63J-393X	MG RESISTOR		
	R 304	NRS181J-101X	MG RESISTOR		
	R 305	NRSA63J-222X	MG RESISTOR		
	R 306	NRSA63J-222X	MG RESISTOR		
	R 310	NRS181J-560X	MG RESISTOR	1/8W	
	R 311	NRS181J-560X	MG RESISTOR	1/8W	
	R 313	NRSA63J-3R3X	MG RESISTOR		
	R 314	NRSA63J-223X	MG RESISTOR		

■ Electrical parts list
(Head amplifier & Mechanism control board) Block No. 05

△	Item	Parts number	Parts name	Remarks	Area
	R 315	NRSA63J-100X	MG RESISTOR		
	R 316	NRSA63J-223X	MG RESISTOR		
	R 317	NRSA63J-100X	MG RESISTOR		
	R 319	NRSA63J-152X	MG RESISTOR		
	R 322	NRSA63J-152X	MG RESISTOR		
	R 327	NRSA63J-474X	MG RESISTOR		
	R 332	NRSA63J-123X	MG RESISTOR		
	R 333	NRSA63J-123X	MG RESISTOR		
	R 335	NRSA63J-152X	MG RESISTOR		
	R 336	NRSA63J-472X	MG RESISTOR		
	R 337	NRSA63J-332X	MG RESISTOR		
	R 338	NRSA63J-392X	MG RESISTOR		
	R 339	NRSA63J-222X	MG RESISTOR		
	R 340	NRS181J-391X	MG RESISTOR		
	R 341	NRSA63J-123X	MG RESISTOR		
	R 342	NRSA63J-203X	MG RESISTOR		
	R 343	NRSA63J-183X	MG RESISTOR		
	R 351	NRSA63J-683X	MG RESISTOR		
	R 352	NRSA63J-912X	MG RESISTOR		
	R 371	NRSA63J-123X	MG RESISTOR		
	R 372	NRSA63J-102X	MG RESISTOR		
	R 375	NRSA02J-151X	MG RESISTOR	1/8W	
	R 376	NRSA63J-472X	MG RESISTOR		
	VR 31	QVP0008-503Z	SEMI.V.RESISTOR	BIAS ADJ	
	VR 32	QVP0008-503Z	SEMI.V.RESISTOR	BIAS ADJ	
	VR 37	QVP0008-103Z	SEMI.V.RESISTOR	TAPE SPEED ADJ	

■ Electrical parts list (Cassete switch board) Block No. 06

△	Item	Parts number	Parts name	Remarks	Area
	CN 1	QGB2011L1-10	B TO B CONNECTO		
	D 1	1SR139-400-T2	SI DIODE		
	IC 1	SG-105F3-BB,C	PHOTO SENSER		
	P 1	QNZ0104-001	POST PIN		
	SW 1	QSW0832-001	LEAF SWITCH	R.REC	
	SW 2	QSW0832-001	LEAF SWITCH	TAPE	
	SW 4	QSW0832-001	LEAF SWITCH	70U	
	SW 5	QSW0832-001	LEAF SWITCH	F.REC	
	SW 6	QSW0859-001	DETECT SWITCH		

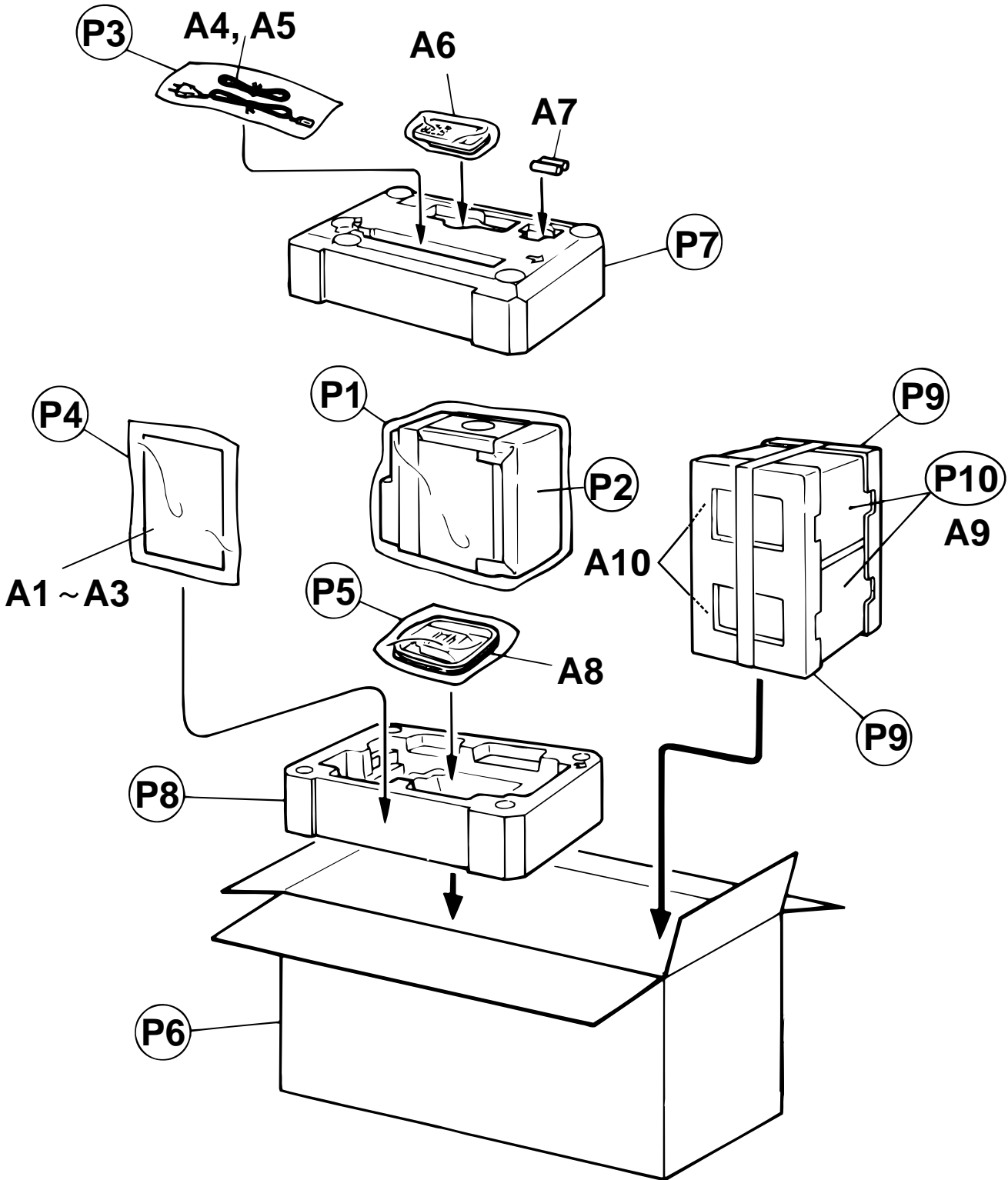
Packing materials and accessories parts list

Block No.

M	4	M	M
---	---	---	---

Block No.

M	5	M	M
---	---	---	---



■ Parts list

Block No. M4MM

△	Item	Parts number	Parts name	Q'ty	Description	Area
	P 1	QPC04504515P	POLY BAG	1	FOR SET	
	P 2	VPK3001-012SC	SHEET	1		
	P 3	QPA01202505	POLY BAG	1	FOR P.CORD	
	P 4	VPE3026-004	POLY BAG	1	FOR INST	
	P 5	QPA01702503P	POLY BAG	1	FOR AM ANT	
	P 6	GN10001-002A	CARTON	1		
	P 7	VPH1709-001	CUSHION(UPPER)	1		
	P 8	VPH1709-002	CUSHION(BOTTOM)	1		
	P 9	T55-KF-01-01	PACKING PAD	2		
	P 10	T55-KO-00-01	POLY BAG	2	FOR SPEAKER	

■ Parts list (Accessories)

Block No. M5MM

△	Item	Parts number	Parts name	Q'ty	Description	Area
	A 1	GNT0001-007A	INST BOOK	1	CHI	
	A 2	BT-59007-2	WARRANTY CARD	1		
	A 3	BT-59009-1	SVC CENTER LIST	1		
	A 4	QMPS020-183-JC	POWER CORD	1		
	A 5	EWP201-011	B. IN ANT	1	FM ANT	
	A 6	VGR0063-201	REMOCON UNIT	1		
	A 7	-----	BATTERY	1	FOR REMOCON	
	A 8	QAL0014-001	AM LOOP ANT	1	AM ANT	
	A 9	UXT550K-SPBOX	SPEAKER BOX	2		
	A 10	T55-BK-00-01	SARAN BOARD	2		